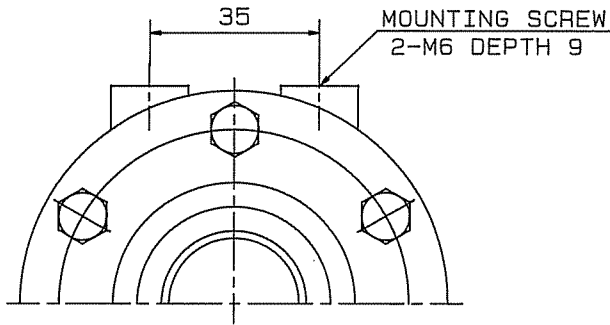


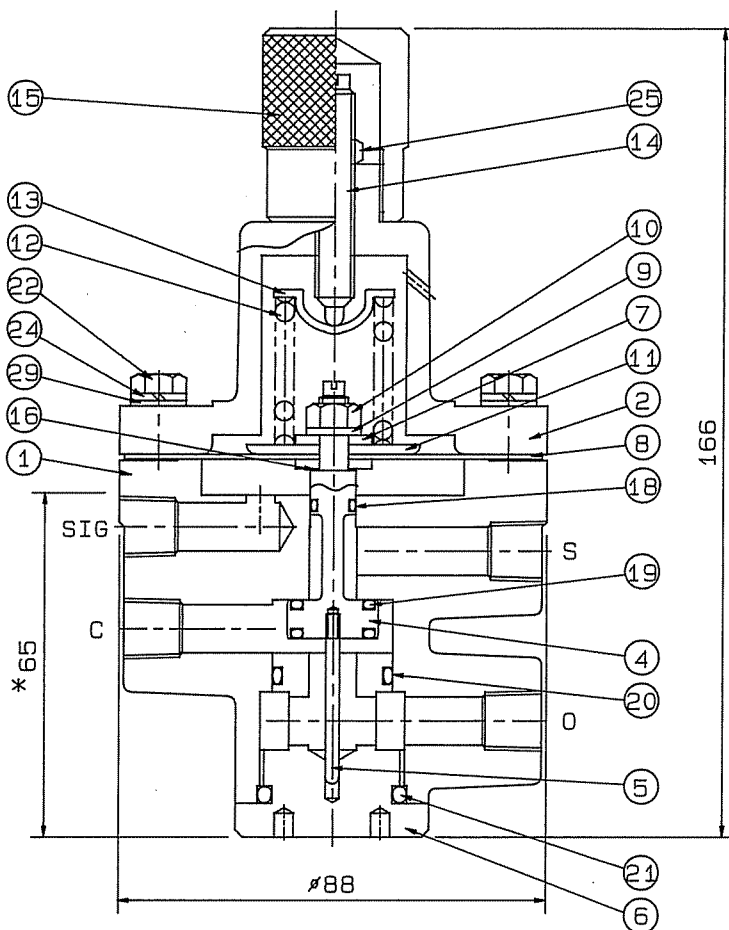
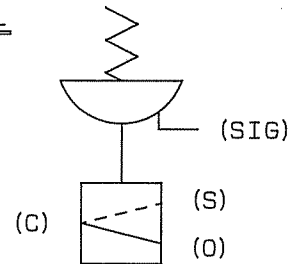
MAIN LOCK VALVE CL-500-TX

SPECIFICATION

CAT.No.	TYPE	CON.	SET RANGE	MAX. WORKING PRESS.
CL-523H-TX	3WAY	Rc1/4	(98~588 KPA) 1.0~6.0Kg/cm ²	(784 KPA) 8.0Kg/cm ²
CL-523L-TX	3WAY	Rc1/4	(19.6~196 KPA) 0.2~2.0Kg/cm ²	(392 KPA) 4.0Kg/cm ²



SYMBOL



No.	PARTS NAME	Q'TY	MATERIAL
1	BODY	1	AC 4C
2	COVER	1	FC 25
4	PORT	1	SUS304
5	GUIDE PIN	1	SUS304
6	BOTTOM COVER	1	A5056BE-F
7	COLLAR	2	C3602
8	DIAPHRAGM	1	VITON
9	SPRING WASHER	1	SUS304
10	NUT	1	S20C
11	RANGE PLATE	1	SPC
12	SPRING	1	SWP
13	SPRING SEAT	1	SPC
14	SET SCREW	1	SUS304
15	CAP	1	A5056BE-F
16	GASKET	1	V. 6500
18	O-RING	1	VITON
19	O-RING	2	VITON
20	O-RING	1	VITON
21	O-RING	1	VITON
22	BOLT	6	SUS304
24	SPRING WASHER	6	SK-5
25	LOCK NUT	1	SUS304
29	WASHER	6	SUS304

* MOUNTING SCREW HEIGHT
WEIGHT : 1.3Kg

CM: Chromate

NOTE: AMBIENT TEMP. 0~80°C

DATE	11/16/1998
APPD BY	
CHKD BY	Ando
DSGND BY	
3rd angle projection	

DRAWING No.

E-CL-500-TX

REV.

D

KOSO